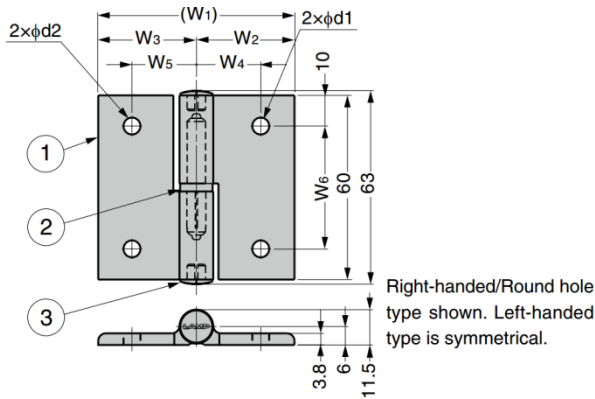


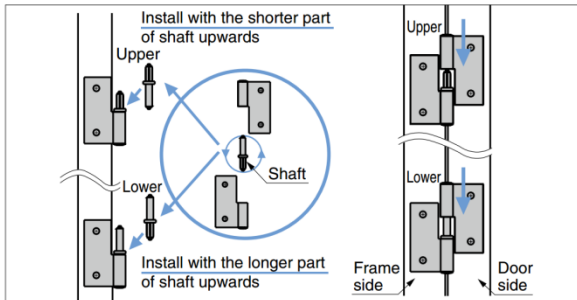
GAS-HG-AL-N Lift-Off Hinge for Aluminium Frame

Features

- Aluminium alloy material, light weight and excellent design
- Resin covering rotating part and shaft end prevents metal-to-metal friction and metal powder scattering
- Unique shaft design for easy installation
- Shaft with rib will not fall off when door is detached
- Suitable for mounting on aluminium frames
- Suitable for semiconductor manufacturing equipment, clean room, aluminium frame, household equipment, etc.



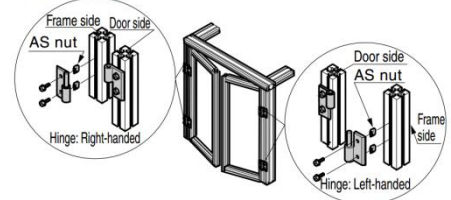
Installation



- **Shaft**
Install upper and lower hinges with the longer and shorter part of shaft reversed.
- **Door installation**
Hang the door on to the lower hinge first, and then on to the upper hinge. Different shaft length reduces installation time.

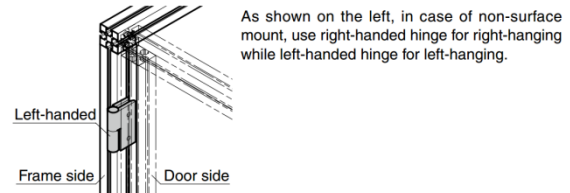


In case of surface mount



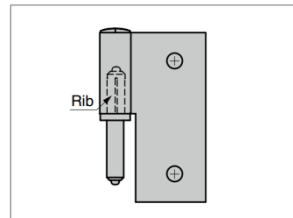
As shown above, in case of surface mount, use left-handed hinge for right-hanging while right-handed hinge for left-hanging.

In case of non-surface mount



As shown on the left, in case of non-surface mount, use right-handed hinge for right-hanging while left-handed hinge for left-hanging.

Structure of Shaft



Unique rib design means that the shaft will remain in the door part of the upper hinge when the door is removed. When re-installing door, remove shaft and install it into hinge at the frame side.

No.	Part Name	Material	Finish / Colour
①	Body	Aluminium Alloy	Matte Anodised Silver (Machined Surface: Plain)
②	Shaft	Stainless Steel (SUS303), POM	White
③	Cover	POM	

Part No.	Handed	Hole Type	W ₁	W ₂	W ₃	W ₄	W ₅	W ₆	d ₁	d ₂	Load Capacity (per pair)	
GAS-HG-AL-NL3020	Left	Round Hole	43	18	25	11	16	40	4.5	5.5	78 N	8 kg
GAS-HG-AL-NR3020	Right											
GAS-HG-AL-NL3030	Left		50	25	16	21	4.5					
GAS-HG-AL-NR3030	Right											
GAS-HG-AL-NL3040	Left		57	32	21	5.5						
GAS-HG-AL-NR3040	Right											
GAS-HG-AL-NL4020	Left		50	18	32	11	21	4.5				
GAS-HG-AL-NR4020	Right											
GAS-HG-AL-NL4040	Left		64	32	21	5.5						
GAS-HG-AL-NR4040	Right											
GAS-HG-AL-NL3020N	Left	No Hole	43	18	25	-	-	-	-	-		
GAS-HG-AL-NR3020N	Right											
GAS-HG-AL-NL3030N	Left		50	25	-	-	-	-				
GAS-HG-AL-NR3030N	Right											